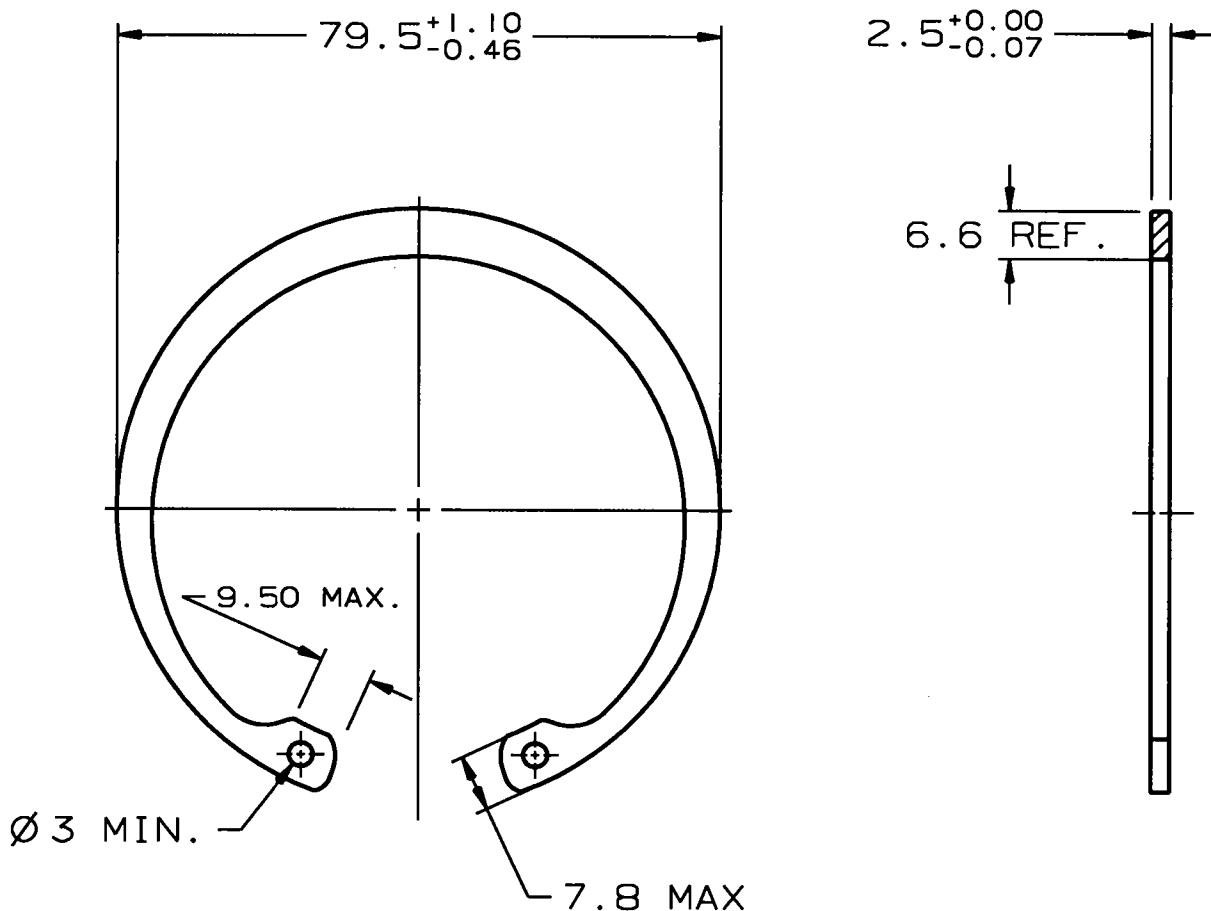


ALL DIMENSIONS IN MILLIMETERS



HOUSING DIAMETER : 75
 GROOVE DIAMETER : 78.0 ±0.3
 GROOVE WIDTH : 2.65 MIN
 MATERIAL : SAE 1060-1090, 44-51 HRC
 DIN SPECIFICATION: 472-75

0520 DM ECN 96-247

REV. NO.	DATE	REV. BY	ECN NUMBER	
REVISION				
TOLERANCES UNLESS OTHERWISE SPECIFIED		3 PLACE DEC. ±.005 4 PLACE DEC. ±.0005	FRACT. ±1/64 ANGLES	
MATERIAL	HEAT TREAT	FINISH	QTY. REQ'D.	

ROTOR CLIP CO. INC.



CUSTOMER RING DRAWING
 DH0-75

THE CONTENTS OF THIS DRAWING IS THE PROPERTY OF ROTOR CLIP CO. INC. AND SHALL BE RETURNED TO ROTOR CLIP CO. INC. UPON REQUEST. ANY UNAUTHORIZED DISCLOSURE OF ITS CONTENTS WITHOUT THE PERMISSION OF ROTOR CLIP CO. INC. IS PROHIBITED.

SCALE NONE	DRAWN BY 	DATE 052096	FILE NAME: DH0752.DRW
DWG. SIZE A	DWG. NO. DH0-75-2		