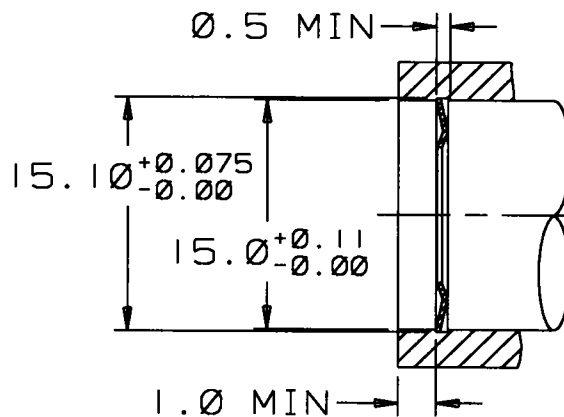


RING SEATED
IN BORE



RING SEATED
IN GROOVE

MATERIAL: HIGH CARBON SPRING STEEL

HARDNESS: 450-520 HV (45-50 HRC EQUIV)

1 5/9 WB

ECN 97-198

ALL DIMENSIONS ARE IN mm

REV. NO.	DATE	REV. BY	ECN NUMBER	ROTOR CLIP CO., INC. ®
REVISION				
MATERIAL HEAT TREAT FINISH QTY. REQ'D.				DTI-15 CUSTOMER DRAWING
THE CONTENTS OF THIS DRAWING IS THE PROPERTY OF ROTOR CLIP CO. INC. AND SHALL BE RETURNED TO ROTOR CLIP CO. INC. UPON REQUEST. ANY UNAUTHORIZED DISCLOSURE OF ITS CONTENTS WITHOUT THE PERMISSION OF ROTOR CLIP CO. INC. IS PROHIBITED.				
SCALE NONE		DRAWN BY MBZ	DATE 5/14/90	FILE NAME: (DTI152)
DWG. SIZE A		DWG. NO. DTI-15-2		